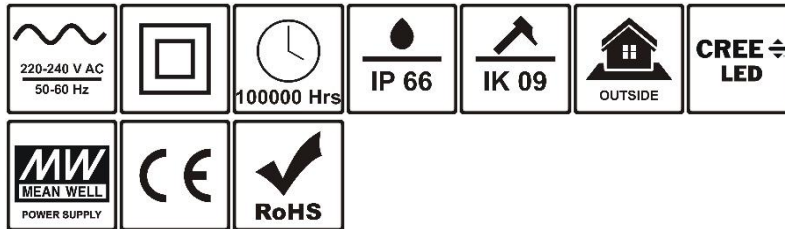
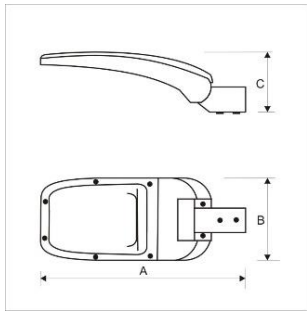




STREET LAMP UNIROAD 48

LED lamp UNIROAD dedicated to streets, roads, cross streets, in cities and villages



Characteristic:

UNIROAD – simple, cost-effective road-lighting range. At relatively low initial cost, the highly efficient LED-based CREE luminaire offers significant cost savings compared with conventional street lighting, ensuring full payback within a short period of time. UNIROAD allows point-to-point replacement of outdated conventional light sources and luminaires. The compact, slim luminaire solution, it requires little maintenance.

TYPE	LAMP FLUX (lm)	LOR	POWER (W)	CCT (K)	CRI (Ra)	DIMENSIONS (mm)
UNIROAD 48 157X57 70	9527	0,88	70W	3000-6000	>70	638x250x305
UNIROAD 48 157X57 85	11236	0,88	85W	3000-6000	>70	638x250x305
UNIROAD 48 157X57 100	12688	0,88	100W	3000-6000	>70	638x250x305
UNIROAD 48 157X57 117	14420	0,88	117W	3000-6000	>70	638x250x305

SPECIFICATION

Electrical parameters :

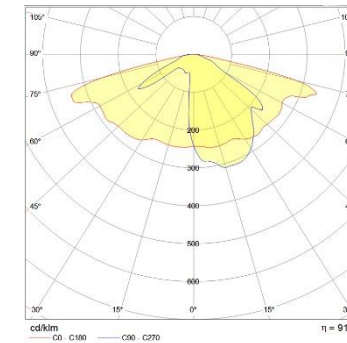
Voltage	220-240 VAC 50/60 Hz
Power factor	≥0,95
THD	<20%
Working temperature	-40°C - +50°C

Optical parameters :

Diffuser	Tempered glass
Beam angle	Asymmetrical

Mechanical parameters :

Housing	Painted aluminium
---------	-------------------



Kernel Electronics Co., Ltd.
401A, Win-United Bldg. 207, Huanshizong Rd.
Guangzhou, 510010 China
phone: 0086 20 85620350
Fax: 0086 20 36780474
www.kernelelectronics.com